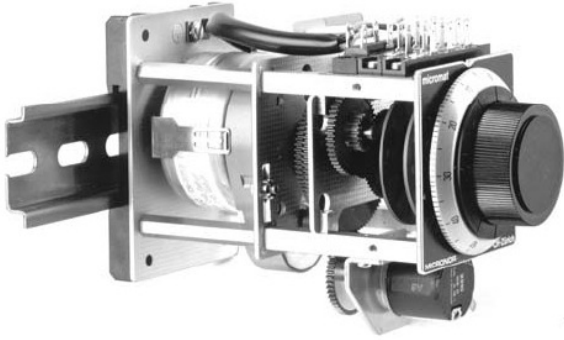


# 10 Turn-Motorized potentiometer 10 Gang-Motorpotentiometer

## Serie MPRZ



- |   |                                |
|---|--------------------------------|
| • <b>Feindrahtpotentiometer</b><br>Wire-wound potentiometer                   | <b>R1...R3 (2W)</b>            |
| • <b>Widerstandswerte</b><br>Resistance                                       | <b>100R...50K (Ω)</b>          |
| • <b>Endlagenkontakte einstellbar</b><br>Adjustable limit switches            | <b>2</b>                       |
| • <b>Nutzkontakte</b> (frei programierbar)<br>Program channels (free setting) | <b>1...4</b>                   |
| • <b>Rückwand- Schnellbefestigung</b><br>Quick rail base mounting             | <b>35 DIN 46277 / EN 50022</b> |

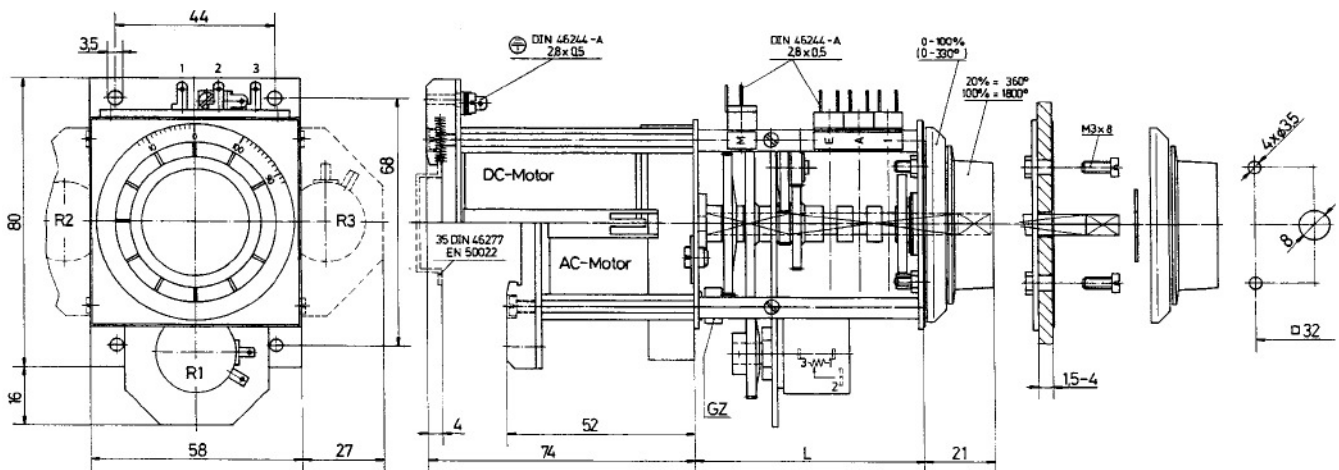
### Application:

- Motorized potentiometers are basically the best in the field of control and regulation technics
- The possibility to mount several potentiometers on the same shaft allows also a remote display of the position of the potentiometer
- Supplementary cams can be used to give limit signals depending on the position of the potentiometer
- Supplementary cams can also be used to offset a residual resistance of the potentiometer at the zero point
- One supplementary cam can be used as zero point interlocking

### Design:

- High precision wire-wound potentiometer with high resolution and linearity
- Potentiometer directly driven by the cam shaft
- Two adjustable limit switches controlling the rotation angle of the potentiometer
- Solid mechanical Stopps preventing damage to potentiometers
- Available with AC or DC motors
- Friction clutch protecting the unit when manually operated
- The modular design allows quick delivery practically without delay, voltage resistance and cycle time according to your requirements

### Outline drawing



**Serie MPRZ**

**Order key**

MPRZ41 04 1 C1 1 1 0

incl. 1 Potentiometer, each further costs additionally in accordance with price list accessories  
max. 3 Potentiometer

Size / Dimension (mm) / Number of switches:

- 4 -->Size  
55 mm -->Dimension (L)  
04 = 2 Switches  
2 Adjustable limit switches (NK4101/20°) + 0 Program channels free setting (NK4201)
- 
- 5 -->Size  
63 mm -->Dimension (L)  
05 = 3 Switches  
2 Adjustable limit switches (NK4101/20°) + 1 Program channels free setting (NK4201)  
1 Program key (PSN)
- 
- 6 -->Size  
71 mm -->Dimension (L)  
06 = 4 Switches  
2 Adjustable limit switches (NK4101/20°) + 2 Program channels free setting (NK4201)  
1 Program key (PSN)

Cycle times (sec.):

- 1 = 30s    2 = 45s    3 = 60s  
4 = 90s    5 = 120s    6 = 180s

Synchronous motor: Power supply (AC / DC) Frequency 50Hz (60Hz)

	CW	CCW	
C1 = 24	/ 24V		AC
C2 = 48	/ 48...	50V	AC
C3 = 110	/ 110...	120V	AC
C4 = 220	/ 220...	240V	AC
G1 = 24	/ 24V	± 0.1	DC
G2 = 12	/ 12V	± 0.1	DC      On request

Wire-wound potentiometer: Resistance

- 1 = 100Ω    2 = 200Ω    3 = 500Ω    4 = 1KΩ    5 = 2KΩ  
6 = 5KΩ    7 = 10KΩ

Wire-wound potentiometer: Resistance

- 8 = 2.5KΩ    9 = 20KΩ    10 = 100KΩ

Wire-wound potentiometer: Resistance

- 0 = -  
1 = PRSG.2  
2 = PSG.2  
3 = PRSG.3  
4 = PSG.3

Ex.: MPRZ4106-5-G1-721-0

meant for the potentiometer choice:  
R1=10KΩ, R2=200Ω, R3=100Ω

Special products will be produced under a new article number.