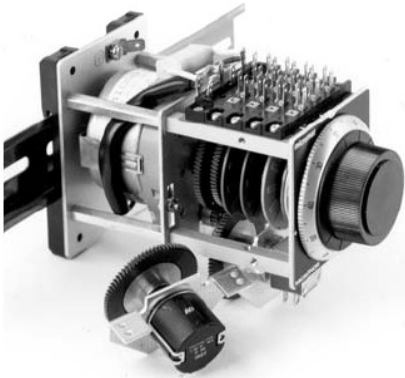


1 Turn-Motorized potentiometer 1 Gang-Motorpotentiometer

Serie MPRE



- | | |
|--|--------------------------------|
| • Feindrahtpotentiometer
Wire-wound potentiometer | R1...R3 (2W) |
| • Widerstandswerte
Resistance | 10R...50K (Ω) |
| • Endlagenkontakte einstellbar
Adjustable limit switches | 2 |
| • Nutzkontakte (frei programmierbar)
Program channels (free setting) | 1...4 |
| • Rückwand- Schnellbefestigung
Quick rail base mounting | 35 DIN 46277 / EN 50022 |

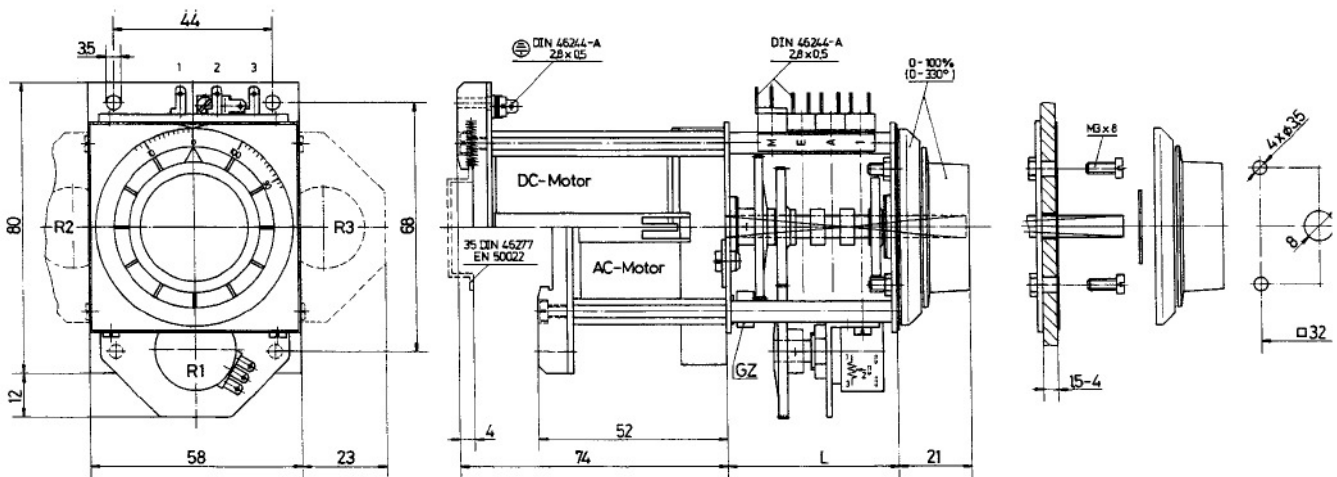
Application:

- Motorized potentiometers are basically the best in the field of control and regulation technics
- The possibility to mount several potentiometers on the same shaft allows also a remote display of the position of the potentiometer
- Supplementary cams can be used to give limit signals depending on the position of the potentiometer
- Supplementary cams can also be used to offset a residual resistance of the potentiometer at the zero point
- One supplementary cam can be used as zero point interlocking

Design:

- High precision wire-wound potentiometer with high resolution and linearity
- Potentiometer directly driven by the cam shaft
- Two adjustable limit switches controlling the rotation angle of the potentiometer
- Solid mechanical Stopps preventing damage to potentiometers
- Available with AC or DC motors
- Friction clutch protecting the unit when manually operated
- The modular design allows quick delivery practically without delay, voltage resistance and cycle time according to your requirements

Outline drawing



1 Turn-Motorized potentiometer 1 Gang-Motorpotentiometer

Serie MPRE

Order key

MPRE41 02 1 C1 1 1 0

incl. 1 Potentiometer, each further costs additionally in accordance with price list accessories
max. 3 Potentiometer

Size / Dimension (mm) / Number of switches:

2	-->Size
02	= 55 mm -->Dimension (L) 2 Switches 2 Adjustable limit switches (NK4101/20°) + 0 Program channels free setting (NK4201)
3	-->Size
03	= 63 mm -->Dimension (L) 3 Switches 2 Adjustable limit switches (NK4101/20°) + 1 Program channels free setting (NK4201) 1 Program key (PSN)
6	-->Size
06	= 71 mm -->Dimension (L) 6 Switches 2 Adjustable limit switches (NK4101/20°) + 4 Program channels free setting (NK4201) 1 Programierkey (PSN)

Cycle times (sec.):

1	= 10s	2	= 15s	3	= 20s	4	= 30s	5	= 45s
6	= 60s	7	= 75s	8	= 90s	9	= 120s	10	= 180s

Synchronous motor: Power supply (AC / DC) Frequency 50Hz (60Hz)

	CW	CCW	
C1 = 24	/ 24V		AC
C2 = 48	/ 48...	50V	AC
C3 = 110	/ 110...	120V	AC
C4 = 220	/ 220...	240V	AC
G1 = 24	/ 24V	± 0.1	DC
G2 = 12	/ 12V	± 0.1	DC On request

Wire-wound potentiometer: Resistance (DP1 2W / DP2 2W)

1	= 100Ω	2	= 200Ω	3	= 500Ω	4	= 1KΩ	5	= 2KΩ
6	= 5KΩ	7	= 10KΩ						

Wire-wound potentiometer: Resistance (DP1 2W / DP2 2W)

8	= 2.5KΩ	9	= 20KΩ	10	= 100KΩ
---	---------	---	--------	----	---------

Wire-wound potentiometer: Resistance

0	= -
1	= PRSG.2
2	= PSG.2
3	= PRSG.3
4	= PSG.3

Ex.: MPRE4103-4-C1-769-0

meant for the potentiometer choice:
R1=10KΩ, R2=5KΩ, R3=20KΩ

Special products will be produced under a new article number.