

1 Turn-Motorized potentiometer 1 Gang-Motorpotentiometer

Serie MPPD



- | | |
|------------------------------------------------------------------------------------------------|------------------------|
| • 2 Hochlaufzeiten
2 Cycle times | T1 + T2 |
| • Feindrahtpotentiometer
Wire-wound potentiometer | R1...R5 (5W) |
| • Widerstandswerte
Resistance | 100R...100K (Ω) |
| • Endlagenkontakte einstellbar
Adjustable limit switches | 2 |
| • Nutzkontakte (frei programierbar)
Program channels (free setting) | 1...7 |
| • Schrankeinbau / DIN-Schnellbefestigung 35 DIN 46277 / EN 50022
Quick rail mounting | |

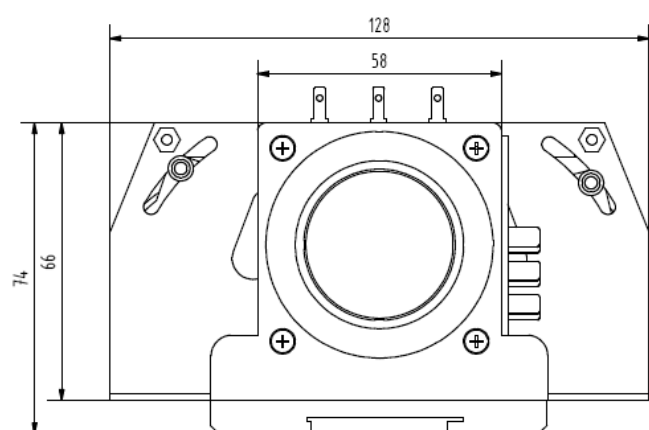
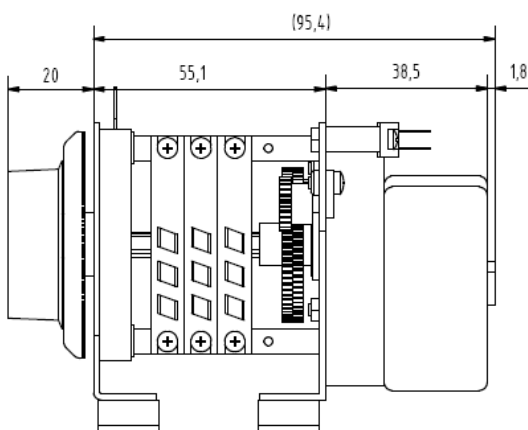
Application:

- Motorized potentiometers are basically the best in the field of control and regulation technics
- The possibility to mount several potentiometers on the same shaft allows also a remote display of the position of the potentiometer
- Supplementary cams can be used to give limit signals depending on the position of the potentiometer
- Supplementary cams can also be used to offset a residual resistance of the potentiometer at the zero point
- One supplementary cam can be used as zero point interlocking

Design:

- High precision wire-wound potentiometer with high resolution and linearity
- Potentiometer directly driven by the cam shaft
- Two adjustable limit switches controlling the rotation angle of the potentiometer
- Solid mechanical Stopps preventing damage to potentiometers
- Available with AC or DC motors
- Friction clutch protecting the unit when manually operated
- The modular design allows quick delivery practically without delay, voltage resistance and cycle time according to your requirements

Outline drawing



1 Turn-Motorized potentiometer 1 Gang-Motorpotentiometer

Serie MPPD

Order key

MPPD41 03 1 C1 1 C1 1 1

max. 3 Potentiometer

Size / Dimension (mm) / Number of switches:

3 -->Size 47 mm -->Dimension
03 = 3 Switches 2 Adjustable limit switches (NK4101/20°) + 1 Program channels free setting (NK4201) 1 Program key (PSN)
6 -->Size 71 mm -->Dimension
06 = 6 Switches 2 Adjustable limit switches (NK4101/20°) + 4 Program channels free setting (NK4201) 1 Program key (PSN)
9 -->Size 95 mm -->Dimension
09 = 9 Switches 2 Adjustable limit switches (NK4101/20°) + 7 Program channels free setting (NK4201) 1 Program key (PSN)

Cycle times (sec.): T1

1 = 10s	2 = 15s	3 = 20s	4 = 30s	5 = 45s
6 = 60s	7 = 75s	8 = 90s	9 = 120s	

Synchronous motor 1: Power supply (AC / DC) Frequency 50Hz (60Hz)

	CW	CCW		
C1 = 24	/	24V		AC
C2 = 48	/	48...	50V	AC
C3 = 110	/	110...	120V	AC
C4 = 220	/	220...	240V	AC
G1 = 24	/	24V	± 0.1	DC
G2 = 12	/	12V	± 0.1	DC

On request

Cycle times (sec.): T2

1 = 10s	2 = 15s	3 = 20s	4 = 30s	5 = 45s
6 = 60s	7 = 75s	8 = 90s	9 = 120s	10 = 180s

Synchronous motor 2: Power supply (AC / DC) Frequency 50Hz (60Hz)

	CW	CCW		
C1 = 24	/	24V		AC
C2 = 48	/	48...	50V	AC
C3 = 110	/	110...	120V	AC
C4 = 220	/	220...	240V	AC
G1 = 24	/	24V	± 0.1	DC
G2 = 12	/	12V	± 0.1	DC

On request

Wire-wound potentiometer: Resistance

1 = 100Ω	2 = 200Ω	3 = 500Ω	4 = 1KΩ	5 = 2KΩ
6 = 5KΩ	7 = 10KΩ			

Wire-wound potentiometer: Resistance

8 = 2.5KΩ	9 = 20KΩ	10 = 100KΩ
-----------	----------	------------

Ex.: MPPD4106-7-G2-6-G2-5510 meant for the potentiometer choice:
R1=2KΩ, R2=2KΩ, R3=100KΩ

Special products will be produced under a new article number.