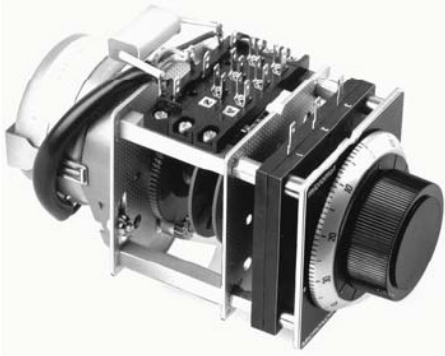


# 1 Turn-Motorized potentiometer 1 Gang-Motorpotentiometer

## Serie MPF



- |  |                        |
|--|------------------------|
| • <b>Feindrahtpotentiometer</b><br>Wire-wound potentiometer                    | <b>R1...R2 (5W)</b>    |
| • <b>Widerstandswerte</b><br>Resistance  | <b>100R...100K (Ω)</b> |
| • <b>Endlagenkontakte einstellbar</b><br>Adjustable limit switches             | <b>2</b>               |
| • <b>Nutzkontakte</b> (frei programmierbar)<br>Program channels (free setting) | <b>1...4</b>           |
| • <b>Türeinbau</b><br>Panel mount  |                        |

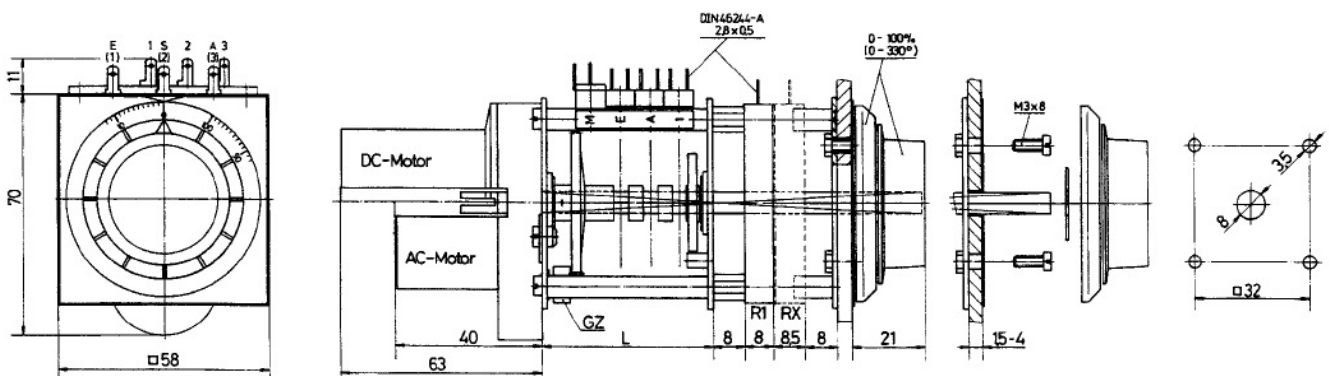
### Application:

- Motorized potentiometers are basically the best in the field of control and regulation technics
- The possibility to mount several potentiometers on the same shaft allows also a remote display of the position of the potentiometer
- Supplementary cams can be used to give limit signals depending on the position of the potentiometer
- Supplementary cams can also be used to offset a residual resistance of the potentiometer at the zero point
- One supplementary cam can be used as zero point interlocking

### Design:

- High precision wire-wound potentiometer with high resolution and linearity
- Potentiometer directly driven by the cam shaft
- Two adjustable limit switches controlling the rotation angle of the potentiometer
- Solid mechanical Stopps preventing damage to potentiometers
- Available with AC or DC motors
- Friction clutch protecting the unit when manually operated
- The modular design allows quick delivery practically without delay, voltage resistance and cycle time according to your requirements

### Outline drawing



# 1 Turn-Motorized potentiometer 1 Gang-Motorpotentiometer

Serie MPF

## Order key

MPF41 00 1 C1 1 1 1

Each further potentiometer costs additionally in accordance with price list accessories  
max. 3 Potentiometer

### Size / Dimension (mm) / Number of switches:

1 -->Size
<b>01</b> = 0 Switches
2 -->Size
39 mm -->Dimension (L)
<b>02</b> = 2 Switches
2 Adjustable limit switches (NK4101/20°) + 0 Program channels free setting (NK4201)
3 -->Size
47 mm -->Dimension (L)
<b>03</b> = 3 Switches
2 Adjustable limit switches (NK4101/20°) + 1 Program channels free setting (NK4201)
1 Program key (PSN)
6 -->Size
71 mm -->Dimension (L)
<b>06</b> = 6 Switches
2 Adjustable limit switches (NK4101/20°) + 4 Program channels free setting (NK4201)
1 Program key (PSN)

### Cycle times (sec.):

1 = 10s	2 = 15s	3 = 20s	4 = 30s	5 = 45s
6 = 60s	7 = 75s	8 = 90s	9 = 120s	

### Synchronous motor: Power supply (AC / DC) Frequency 50Hz (60Hz)

		CW	CCW		
<b>C1</b> = 24	/	24V		AC	
<b>C2</b> = 48	/	48...	50V	AC	
<b>C3</b> = 110	/	110...	120V	AC	
<b>C4</b> = 220	/	220...	240V	AC	
<b>G1</b> = 24	/	24V	± 0.1	DC	
<b>G2</b> = 12	/	12V	± 0.1	DC	On request

### Wire-wound potentiometer: Resistance

1 = 100Ω	2 = 200Ω	3 = 500Ω	4 = 1KΩ	5 = 2KΩ
6 = 5KΩ	7 = 10KΩ			

### Wire-wound potentiometer: Resistance

8 = 2.5KΩ	9 = 20KΩ	10 = 100KΩ
-----------	----------	------------

### Wire-wound potentiometer: Resistance

0 = -
1 = PRSG.2
2 = PSG.2
3 = PRSG.3
4 = PSG.3

Ex.: MPF4106-1-C2-598-0

meant for the potentiometer choice:  
R1=2KΩ, R2=20KΩ, R3=2.5KΩ

Special products will be produced under a new article number.