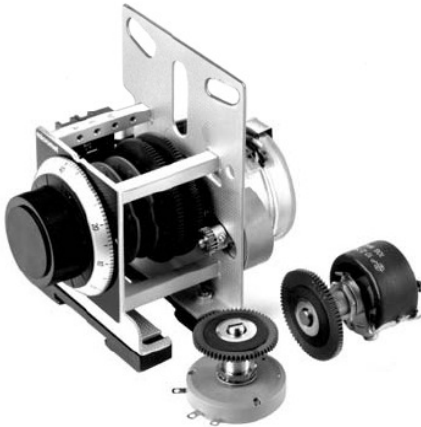


1 Turn-Potentiometer drive 1 Gang-Potentiometerantrieb

Serie MP



- **Zum Anbau von Potentiometer**
To mount external potentiometer
- **Anzahl Potentiometer** 1...3
Number of Potentiometer
- **Widerstandswerte** 100R...10K (Ω)
Resistance
- **Endlagenkontakte einstellbar** 2
Adjustable limit switches
- **Nutzkontakte (frei programierbar)** 1...7
Program channels free setting
- **Schnellbefestigung** 35 DIN 46277 / EN 50022
Quick rail mounting

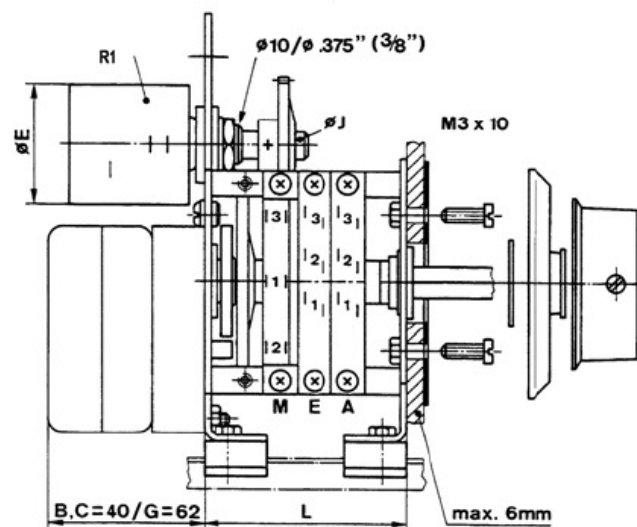
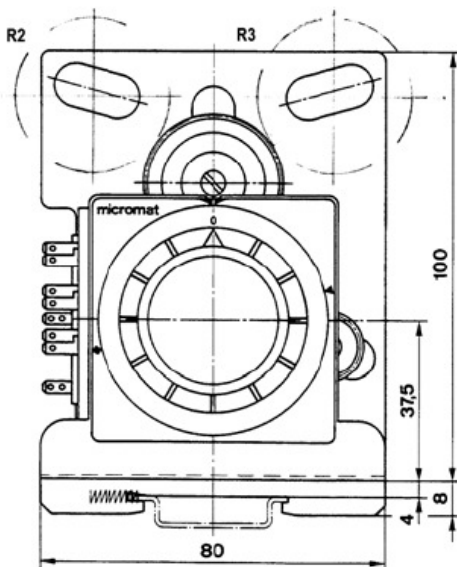
Application:

- Motorized potentiometers are basically the best in the field of control and regulation technics
- The possibility to mount several potentiometers on the same shaft allows also a remote display of the position of the potentiometer
- Supplementary cams can be used to give limit signals depending on the position of the potentiometer
- Supplementary cams can also be used to offset a residual resistance of the potentiometer at the zero point
- One supplementary cam can be used as zero point interlocking

Design:

- High precision wire-wound potentiometer with high resolution and linearity
- Potentiometer directly driven by the cam shaft
- Two adjustable limit switches controlling the rotation angle of the potentiometer
- Solid mechanical Stopps preventing damage to potentiometers
- Available with AC or DC motors
- Friction clutch protecting the unit when manually operated
- The modular design allows quick delivery practically without delay, voltage resistance and cycle time according to your requirements

Outline drawing



1 Turn-Potentiometer drive 1 Gang-Potentiometerantrieb

Serie MP

Order key

MP41 02 1 C1 1 0

max. 3 Potentiometer

Size / Dimension (mm) / Number of switches:

2 -->Size
02 = 2 Switches 2 Adjustable limit switches (NK4101/20°) + 0 Program channels free setting (NK4201)
3 -->Size
41 mm -->Dimension (L)
03 = 3 Switches 2 Adjustable limit switches (NK4101/20°) + 1 Program channels free setting (NK4201) 1 Program key (PSN)
6 -->Size
71 mm -->Dimension (L)
06 = 6 Switches 2 Adjustable limit switches (NK4101/20°) + 4 Program channels free setting (NK4201) 1 Program key (PSN)
9 -->Size
95 mm -->Dimension (L)
09 = 9 Switches 2 Adjustable limit switches (NK4101/20°) + 7 Program channels free setting (NK4201) 1 Program key (PSN)

Cycle times (sec.):

1 = 10s	2 = 15s	3 = 20s	4 = 30s	5 = 45s
6 = 60s	7 = 75s	8 = 90s	9 = 120s	10 = 180s

Synchronous motor: Power supply (AC / DC) Frequency 50Hz (60Hz)

	CW	CCW	
C1 = 24	/	24V	AC
C2 = 48	/	48...	50V AC
C3 = 110	/	110...	120V AC
C4 = 220	/	220...	240V AC
G1 = 24	/	24V	± 0.1 DC
G2 = 12	/	12V	± 0.1 DC On request

Wire-wound potentiometer: Type

1 = DP1	2W	
2 = DPM20	20W	
3 = DPM60	60W	
4 = DPM170	170W	just with 1 potentiometer available!

Wire-wound potentiometer: Resistance

0 = -	1 = 10Ω	2 = 20Ω	3 = 50Ω	4 = 100Ω	5 = 200Ω	6 = 500Ω
7 = 1KΩ	8 = 2KΩ	9 = 5KΩ	10 = 10KΩ	11 = 20KΩ	12 = 50KΩ	

Ex.: MP4103-6-C3-1-81112

meant for the potentiometer choice:
R1=2KΩ, R2=20KΩ, R3=50KΩ

Special products will be produced under a new article number.