

# 1 Turn Potentiometer with limit switches 1 Gang Potentiometer mit Endschalter

## Serie HPFF



- **Handfeineinstellung mit 5-fach Auflösung**  
Manual fine adjustment 5 turn resolution
- **Feindrahtpotentiometer** R1...R3 (5W)  
Wire-wound potentiometer
- **Widerstandswerte** 100R...10K ( $\Omega$ )  
Resistance
- **Nutzkontakte** (frei programierbar) 1...4  
Program channels free setting
- **Türeinbau, Frontbefestigung**  
Panel mounting, Door installation
- **Mechanischer Endanschlag zum Schutze der Potentiometer**  
Solid mechanical stops for potentiometer protection

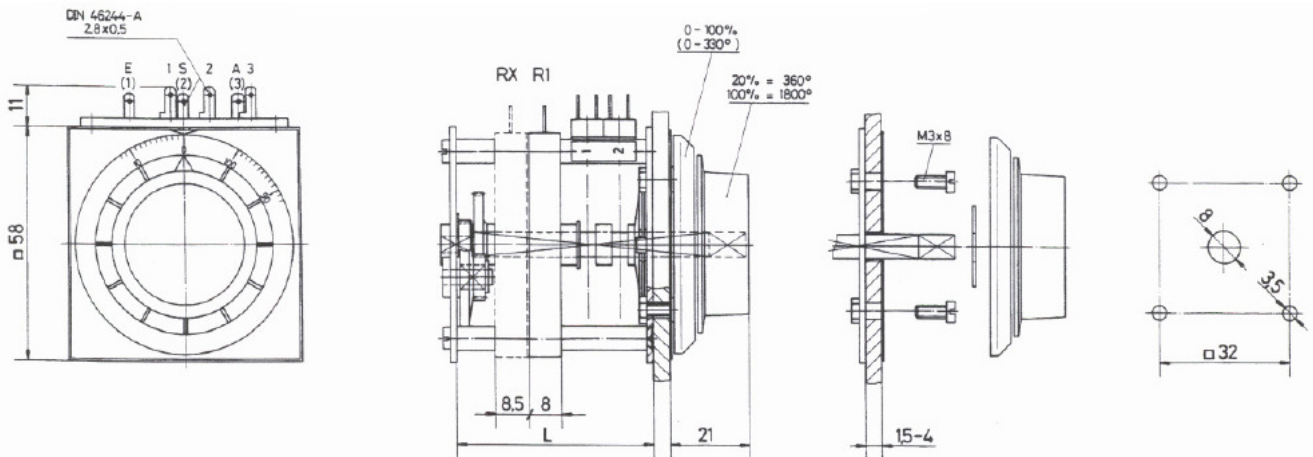
### Application:

- Motorized potentiometers are basically the best in the field of control and regulation technics
- The possibility to mount several potentiometers on the same shaft allows also a remote display of the position of the potentiometer
- Supplementary cams can be used to give limit signals depending on the position of the potentiometer
- Supplementary cams can also be used to offset a residual resistance of the potentiometer at the zero point
- One supplementary cam can be used as zero point interlocking

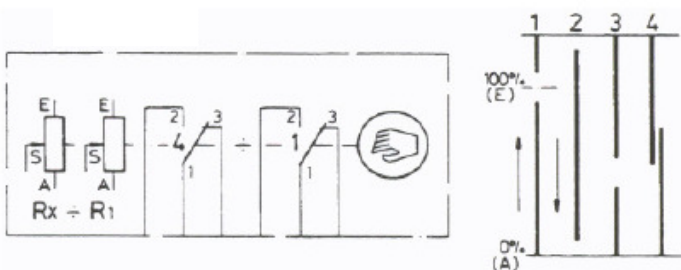
### Design:

- High precision wire-wound potentiometer with high resolution and linearity
- Potentiometer directly driven by the cam shaft
- Two adjustable limit switches controlling the rotation angle of the potentiometer
- Solid mechanical Stops preventing damage to potentiometers
- Available with AC or DC motors
- Friction clutch protecting the unit when manually operated
- The modular design allows quick delivery practically without delay, voltage resistance and cycle time according to your requirements

### Outline drawing



### Electrical Connection



Technische Änderungen vorbehalten / Subject to change without prior notice

# 1 Turn Potentiometer with limit switches 1 Gang Potentiometer mit Endschalter

## Serie HPFF

### Order key

HPFF 00 1 1 1 1

Manual fine adjustment (5 turn resolution)

Each further potentiometer costs additionally in accordance with price list accessories  
max. 3 Potentiometer

#### Size / Dimension (mm) / Number of switches:

19 mm -->Dimension (L)  
**00** = 0 Switches  
0 Adjustable limit switches (NK4101/20°) + 0 Program channels free setting (NK4201)

1 -->Size  
23 mm -->Dimension (L)  
**01** = 1 Switches  
1 Program channels free setting (NK4201)  
1 Program key (PS)

2 -->Size  
31 mm -->Dimension (L)  
**02** = 2 Switches  
2 Program channels free setting (NK4201)  
1 Program key (PS)

3 -->Size  
46 mm -->Dimension (L)  
**03** = 3 Switches  
3 Program channels free setting (NK4201)  
1 Program key (PS)

4 -->Size  
54 mm -->Dimension (L)  
**04** = 4 Switches  
4 Program channels free setting (NK4201)  
1 Program key (PS)

#### 5-Turn-Precision wire wound potentiometer (Type DPC, 5W): Resistance

**1** = 100Ω **2** = 200Ω **3** = 500Ω **4** = 1KΩ **5** = 2KΩ  
**6** = 5KΩ **7** = 10KΩ

#### 10-Turn-Precision wire wound potentiometer (Type DPZ, 2W): Resistance

**8** = 20KΩ **9** = 50KΩ

#### Interface:

**0** = -  
**1** = MR265

#### Retaining spring

**0** = -  
**1** = Retaining spring

Ex.: HPFF04-221-1-1                      meant for the potentiometer choice:  
R1=200Ω, R2=200Ω, R3=100Ω

Special products will be produced under a new article number.