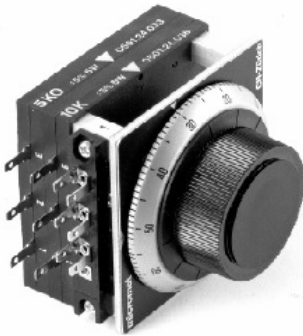


# 1 Turn Potentiometer with limit switches 1 Gang Potentiometer mit Endschalter

## Serie HPF



- **Feindrahtpotentiometer** R1...R3 (5W)  
Wire-wound potentiometer
- **Widerstandswerte** 100R...10K (Ω)  
Resistance
- **Nutzkontakte** (frei programierbar) 1...4  
Program channels free setting
- **Türeinbau, Frontbefestigung**  
Panel mounting, Door installation
- **Mechanischer Endanschlag zum Schutze der Potentiometer**  
Solid mechanical stops for potentiometer protection

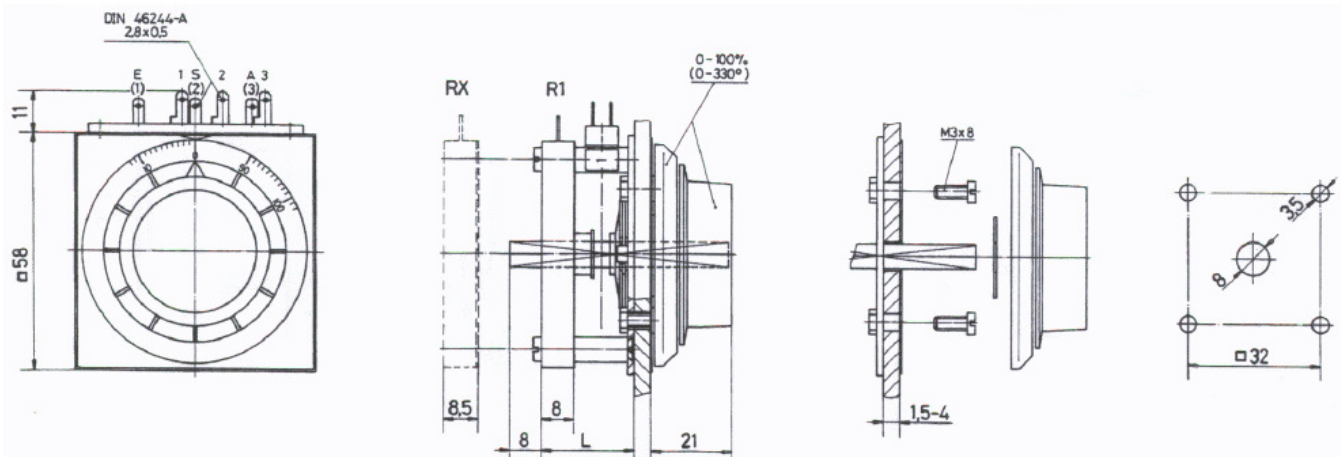
### Application:

- Motorized potentiometers are basically the best in the field of control and regulation technics
- The possibility to mount several potentiometers on the same shaft allows also a remote display of the position of the potentiometer
- Supplementary cams can be used to give limit signals depending on the position of the potentiometer
- Supplementary cams can also be used to offset a residual resistance of the potentiometer at the zero point
- One supplementary cam can be used as zero point interlocking

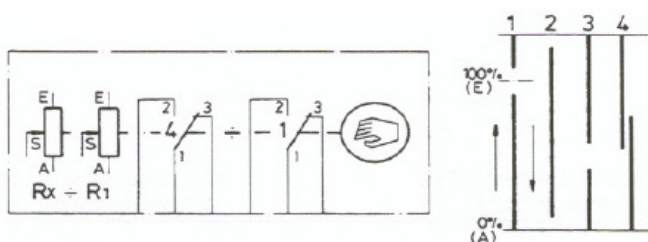
### Design:

- High precision wire-wound potentiometer with high resolution and linearity
- Potentiometer directly driven by the cam shaft
- Two adjustable limit switches controlling the rotation angle of the potentiometer
- Solid mechanical Stops preventing damage to potentiometers
- Available with AC or DC motors
- Friction clutch protecting the unit when manually operated
- The modular design allows quick delivery practically without delay, voltage resistance and cycle time according to your requirements

### Outline drawing



### Electrical Connection



Technische Änderungen vorbehalten / Subject to change without prior notice

# 1 Turn Potentiometer with limit switches 1 Gang Potentiometer mit Endschalter

Serie HPF

## Order key

HPF 00 1 1 1 1

Front installation

Each further potentiometer costs additionally in accordance with price list accessories  
max. 3 Potentiometer

### Size / Dimension (mm) / Number of switches:

19 mm -->Dimension (L)  
00 = 0 Switches  
0 Adjustable limit switches (NK4101/20°) + 0 Program channels free setting (NK4201)

1 -->Size  
23 mm -->Dimension (L)  
01 = 1 Switches  
1 Program channels free setting (NK4201)  
1 Program key (PS)

2 -->Size  
31 mm -->Dimension (L)  
02 = 2 Switches  
2 Program channels free setting (NK4201)  
1 Program key (PS)

3 -->Size  
46 mm -->Dimension (L)  
03 = 3 Switches  
3 Program channels free setting (NK4201)  
1 Program key (PS)

4 -->Size  
54 mm -->Dimension (L)  
04 = 4 Switches  
4 Program channels free setting (NK4201)  
1 Program key (PS)

### 1-Turn-Precision wire wound potentiometer (Type DPZ, 5W): Resistance

1 = 100Ω 2 = 200Ω 3 = 500Ω 4 = 1KΩ 5 = 2KΩ  
6 = 5KΩ 7 = 10KΩ

### 1-Turn-Precision wire wound potentiometer (Type DPZ, 5W): Resistance

8 = 20KΩ 9 = 50KΩ

### Interface:

0 = -  
1 = MR265

### Retaining spring

0 = -  
1 = Retaining spring

Ex.: HPF01-7610-1-1

meant for the potentiometer choice:  
R1=10KΩ, R2=5KΩ, R3=50KΩ

Special products will be produced under a new article number.