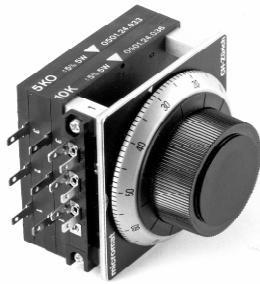


1 Turn-Potentiometer with limit switches

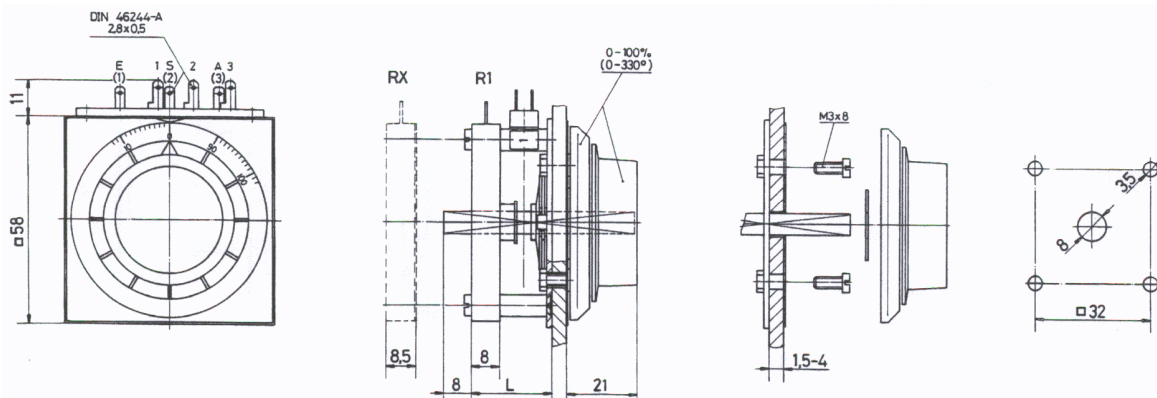
1 Gang-Potentiometer mit Endschalter

Serie HPF



- **Feindrahtpotentiometer** Wire-wound potentiometer **R1...R3 (5W)**
- **Widerstandswerte** Resistance **100R...10K (Ω)**
- **Nutzkontakte** (frei programierbar) Program channels free setting **1...4**
- **Türeinbau, Frontbefestigung** Panel mounting, Door installation
- **Mechanischer Endanschlag zum Schutze der Potentiometer** Solid mechanical stops for potentiometer protection

Massbild / Outline drawing



Bestelltext Typ Potentiometer	How to order Type Potentiometer	Potentiometer mit Endschalter HPF xx x x x x R1 = 100R / R2 = 50K (DPC)
--	--	--

Bestellschlüssel	Order key	HPF xx x x x x																				
Serie Fronteinbau	Serie Panel mount																					
Anzahl Schalter Endlagenkontakte einstellbar Nutzkontakte (frei programierbar) Mass (L) mm	Number of switches Adjustable limit switches Program channels (free setting) Dimension (L) mm	<table border="1"> <tr> <td>00</td> <td>01</td> <td>02</td> <td>03</td> <td>04</td> </tr> <tr> <td>-</td> <td>-</td> <td>-</td> <td>2</td> <td>2 (NK4101.20°)</td> </tr> <tr> <td>-</td> <td>1</td> <td>2</td> <td>1</td> <td>2 (NK4201)</td> </tr> <tr> <td>19</td> <td>23</td> <td>31</td> <td>46</td> <td>54</td> </tr> </table>	00	01	02	03	04	-	-	-	2	2 (NK4101.20°)	-	1	2	1	2 (NK4201)	19	23	31	46	54
00	01	02	03	04																		
-	-	-	2	2 (NK4101.20°)																		
-	1	2	1	2 (NK4201)																		
19	23	31	46	54																		
Feindrahtpotentiometer Widerstandswert / Auflösung	Wire-wound potentiometer Resistance / Resolution																					
1 = 100R / 0,131% ¹⁾ 2 = 200R / 0,111% 3 = 500R / 0,083% 4 = 1K0 / 0,079% 5 = 2K0 / 0,076% 6 = 5K0 / 0,059%																						
7 = 10K / 0,044%																						
1 = 20K / 0,033% ¹⁾ 2 = 50K / 0,020% ¹⁾ ¹⁾ auf Anfrage / On request																						
Schnittstelle 1 = MR 265	Interface 1 = MR 265																					
Rückholfeder 1 = Rückholfeder	Retaining spring 1 = Retaining spring																					
Drehwinkel (mech. / elektr.) Widerstandstoleranz Linearität Lebensdauer / Umdr. Belastbarkeit Schleiferstrom	Rotation angle (mech. / electr.) Resistance tolerance Linearity Rotation life / Turn Power rating Slider current	$\angle 330^\circ (0...100\%)$ $\pm 5\%$ $< 0,15\%$ 1 Mill. 5 W (40 °C) 100 mA																				

