

Type ESM46L Elektrische Anschlüsse / Electrical connection

Bestelltext / Order key

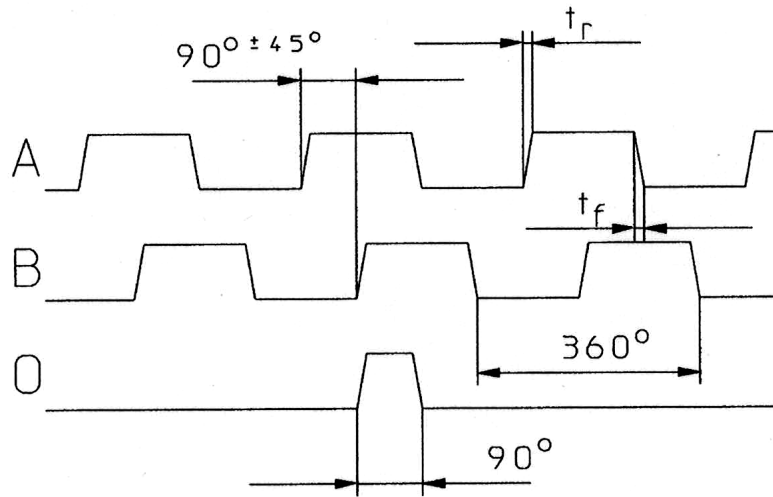
ESM46L.1111
Digitaler Wegaufnehmer / Manual Pulser

Elektrische Anschlüsse / Electrical connection

Signal	0V	+ Vcc	A	-A	B	-B	M	-M
Conductor coloring	white	brown	green	yellow	grey	magenta	blue	red

Unused circuit points are before starting to isolate

Output channel



Interface

Drehgeber

Empfohlene Eingangsschaltung

