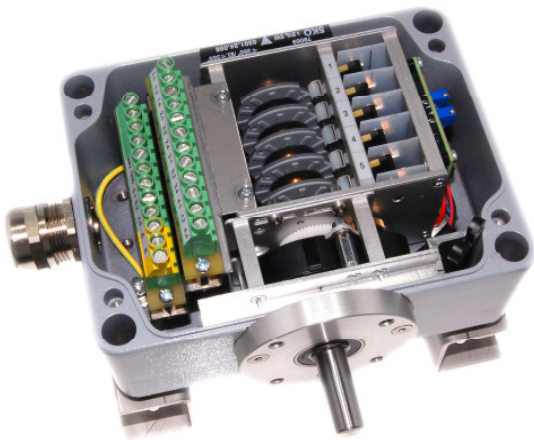


Serie MR 240



Features:

- very robust geared limit switch
- with current interface MR265
- Protection: IP65
- Double cam with mit slipping clutch
- Applications:
 - Craine applications
 - Sluices
 - Doors
 - Cranking motor
 - Scenes

Technical data

initially reduction (shaft to limit switch)

to 1000 : 1

Microswitch

Number of switching levels	5 x
Microswitch	XGK2-88S20 (Obligation opener)
Contact rating	250V AC 16A
Permission	UL / ENEC / cUL / CSA

Current interface MR265

Connection	2 - conductor technik
Supply voltage	24 ... 30 VDC
Power input	4 ... 20 mA
Max. Output power	550 mW
Max. burden	500 Ω
Output current	4 ... 20 mA
Linearity	± 0.5 %
Temperature coefficient	100 ppm/K
Temperature range	0 ... 70 °C

Potentiometer for MR 265

DPC Potentiometer	5 KΩ
Resolution	0.054 %
Resistance tolerance	± 5 %
Linearity	< 0.15 %
Capacity	5 W (40 °C)
Contact current	100 mA
Electric strength	900 VDC
Angle of rotation (electrical)	355 °
Angle of rotation (mech.)	360 °

Shaft

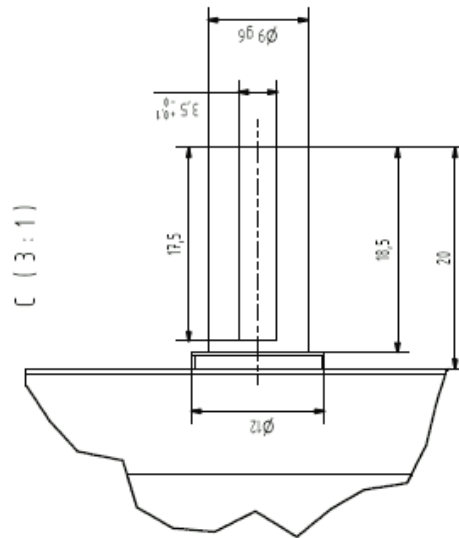
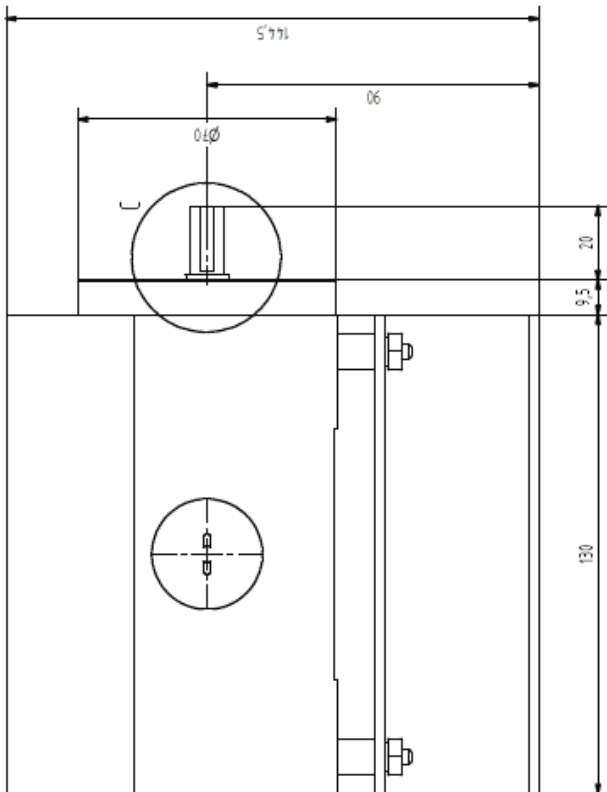
Ø 9mm

Housing

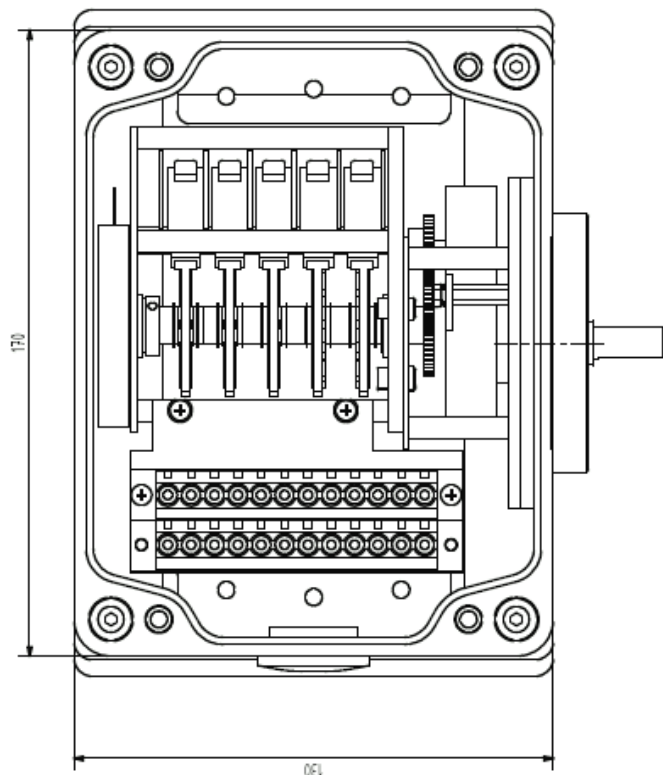
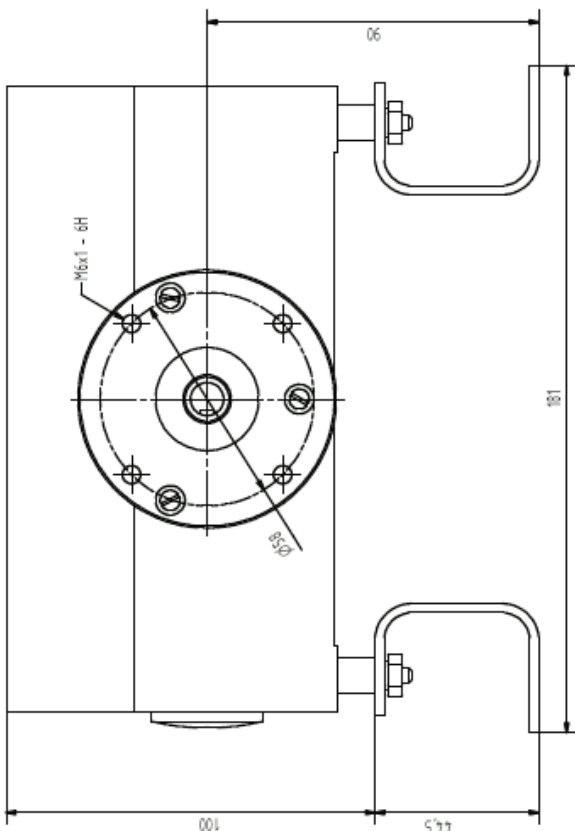
Ø 159.5mm x 181mm

Serie MR 240

Outline drawing



The geared limit switch can be installed directly on the shaft (shaft with hollow shaft)

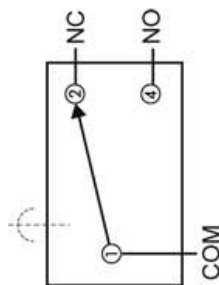


Technische Änderungen vorbehalten / Subject to change without prior notice

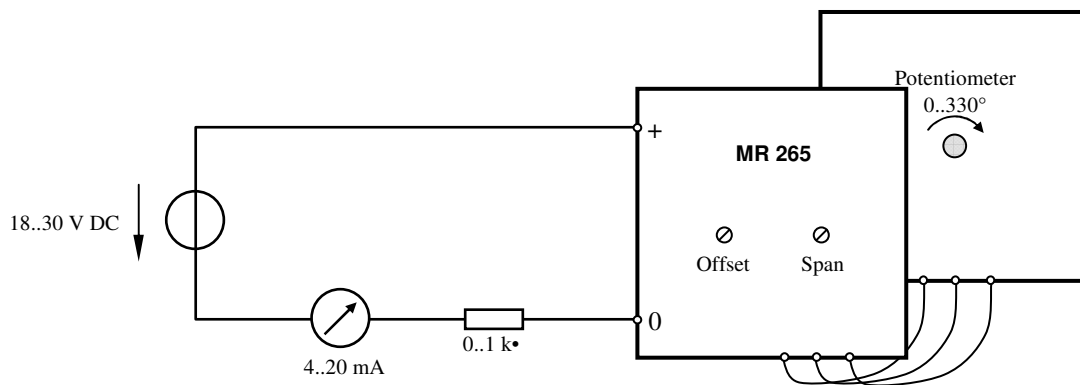
Serie MR 240

Electrical connection

	NC	NO	COM
Switch 1	12	14	11
Switch 2	22	24	21
Switch 3	32	34	31
Switch 4	42	44	41
Switch 5	52	54	51



Current interface MR 265



Order key

MR 240