

Serie MR 190

Ausgangskanäle / Output channels

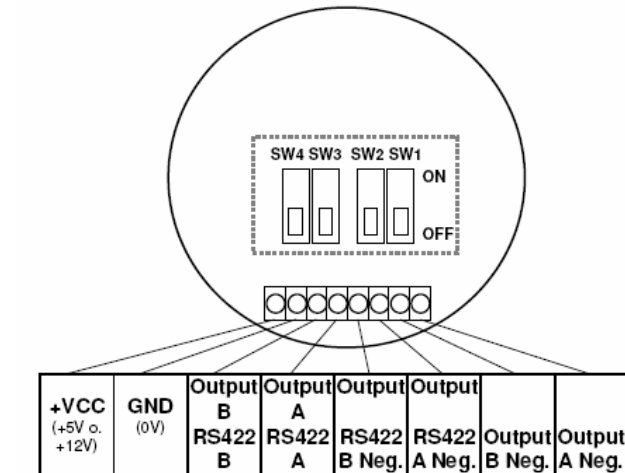
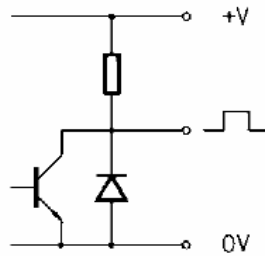
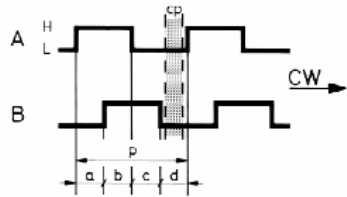
cp = Rasterabstand / Click point

Ausgangstreiber / Output driver

Pull up (2 K0 intern)

Anschlüsse / Connection

Schraubklemme / Terminal block



Serie MR 190

Schaltereinstellungen / Switch configuration

No.(X)	Schalter SW1.....SW4				VCC	RC	Ausgang Spannung Max	
	SW1	SW2	SW3	SW4			A	B
1	OFF	OFF	OFF	OFF	4.9->5.3V	326 Ohm	4V	4V
2	OFF	OFF	OFF	OFF	11.9->12.5V	326 Ohm	4V	4V
3	OFF	ON	OFF	ON	4.9->5.3V	2 KOhm	4V	4V
4	OFF	ON	OFF	ON	11.9->12.5V	2 KOhm	4V	4V
5	ON	OFF	ON	OFF	4.9->5.3V	390 Ohm	4V	4V
6	ON	OFF	ON	OFF	11.9->12.5V	390 Ohm	4V	4V
7	ON	ON	ON	ON	4.9->5.3V	2 KOhm	4V	4V
8	ON	ON	ON	ON	11.9->12.5V	2 KOhm	11V	11V