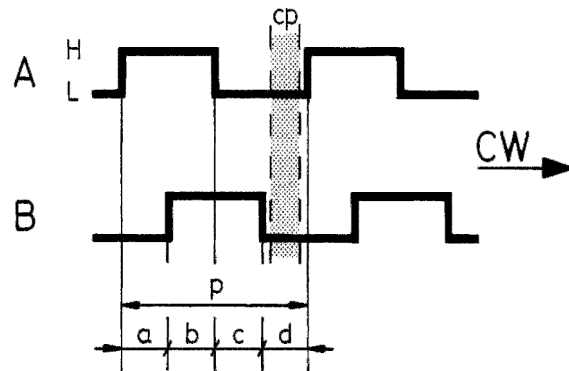


Serie ESM 80

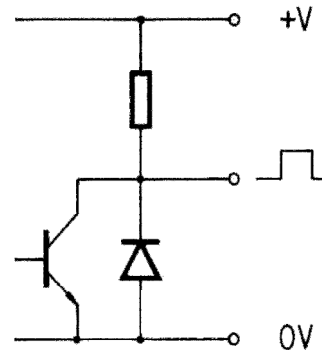
Ausgangskanäle / Output channels

cp = Rasterabstand / Click point
p = Periode



Ausgangstreiber / Output driver

Pull up (NPN) 2 K Ω
Pull up (NPN) 330 Ω (FANUC)



Anschlüsse / Connection

Schraubklemme / Terminal block

