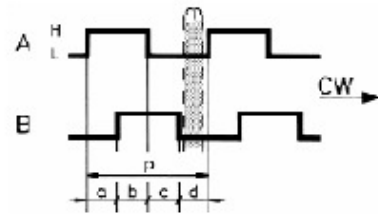


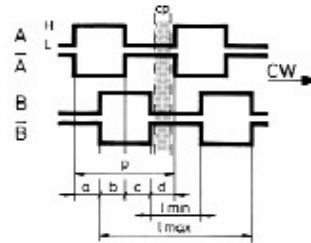
Serie ESH175

Ausgangskanäle / Output channel

M70
cp = Rasterabstand / Click point

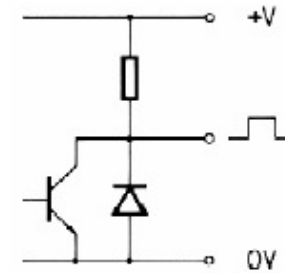


M74
p = Period

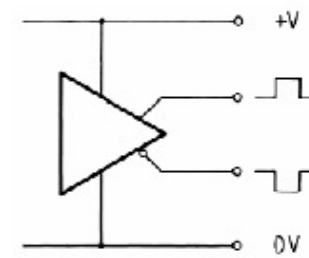


Ausgangstreiber / Output driver

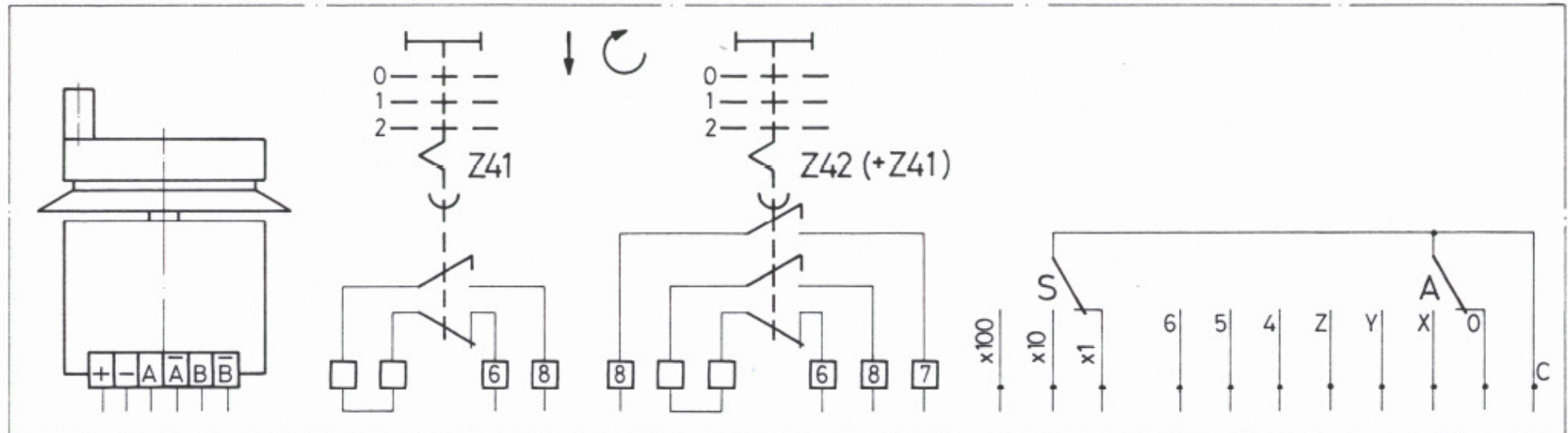
Pull up (2 K Ω intern)



Line driver (RS 422)



Elektrische Anschlüsse / Electrical connection



Serie ESH175

Auswahltabelle / Selection table	M70	A1...6						S1...3			Z41	Z42
Anschlüsse / Connection	+ - A B	C 0 X Y Z 4 5 6	x ¹ x ¹⁰ x ¹⁰⁰	6 8	7 8							
ESH175.1.1.1.1	8 9 1 2								5 6	- -		
ESH175.1.2.1.1	8 9 1 2								5 6	7 10		
ESH175.1.6.3.1.3.1	8 9 1 2	17	11 12 13 14	15 16	18 3 4	5 6						
ESH175.1.6.3.2.3.1	8 9 1 2	17	11 12 13 14	15 16	18 3 4	5 6				7 10		

Auswahltabelle / Selection table	M74	A1...6						S1...3			Z41	Z42
Anschlüsse / Connection	+ - A B A' B'	C 0 X Y Z 4 5 6	x ¹ x ¹⁰ x ¹⁰⁰	6 8	7 8							
ESH175.2.1.1.1	8 9 1 2 3 4								5 6	- -		
ESH175.2.2.1.1	8 9 1 2 3 4								5 6	7 10		
ESH175.2.4.3.1.2.1	8 9 1 2 3 4	17	11 12 13 14		18 15 16	5 6						
ESH175.2.6.3.2.3.1	8 9 1 2 3 4	17	11 12 13 14 15 16		18 7 10	5 6				19 20		

- | | | | |
|-----------------|--------------------------|------------------------------|----------------------------------|
| 1 Weiss / White | 7 Blau / Blue | 13 Weiss-Grün / White-Green | 19 Weiss-Rosa / White-Pink |
| 2 Braun / Brown | 8 Rot / Red | 14 Braun-Grün / Brown-Green | 20 Rosa-Braun / Pink-Brown |
| 3 Grün / Green | 9 Schwarz / Black | 15 Weiss-Gelb / White-Yellow | 21 * Weiss-Blau / White-Blue |
| 4 Gelb / Yellow | 10 Violet / Purple | 16 Gelb-Braun / Yellow-Brown | 22 * Braun-Blau / Brown-Blue |
| 5 Grau / Grey | 11 Grau-Rosa / Grey-Pink | 17 Weiss-Grau / White-Grey | 23 * Weiss-Rot / White-Red |
| 6 Rosa / Pink | 12 Rot-Blau / Red-Blue | 18 Grau-Braun / Grey-Brown | 24 * Braun-Rot / Brown-Red |
| | | | 25 * Weiss-Schwarz / White-Black |

Kabelfarben nach / Cable colour at DIN 47100

* Unbenutzte Anschlüsse sind vor Inbetriebnahme zu isolieren / * Unused terminals should be insulated before initial start-up