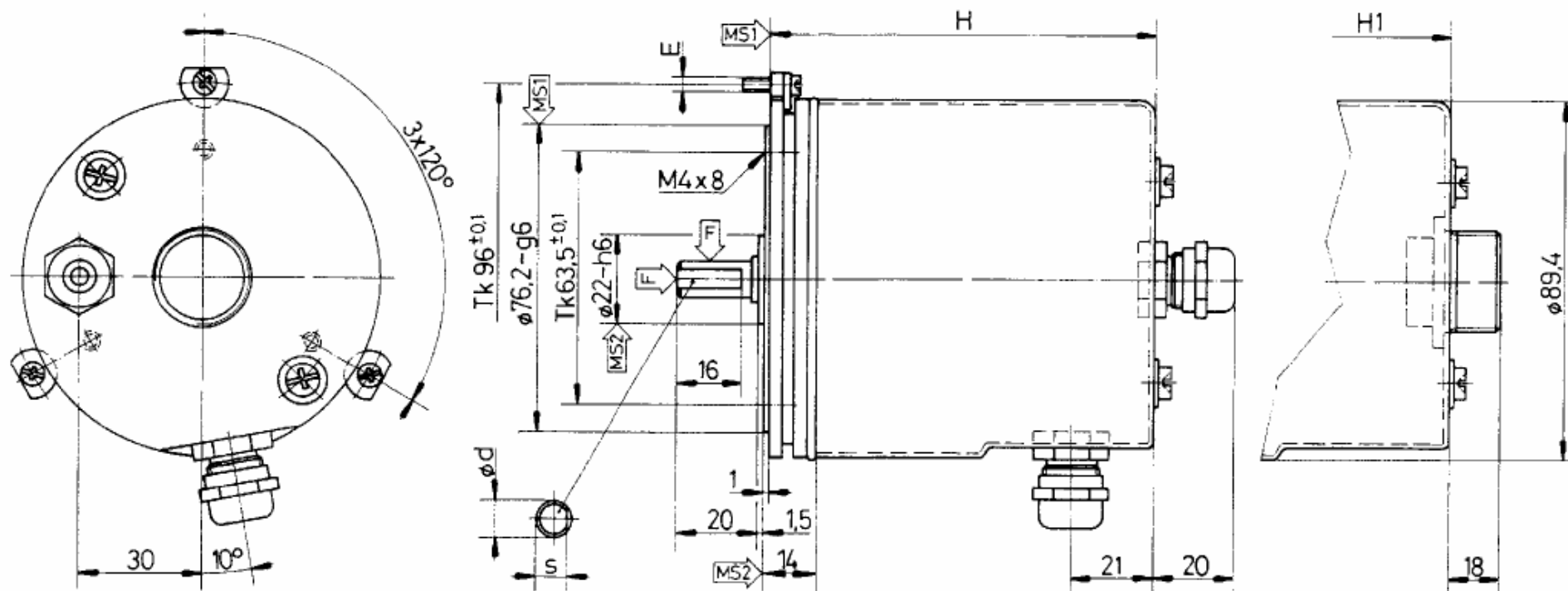


Serie FDS 90

Massbild / Outline drawing

$\varnothing d = 9\text{-h8}$ $s = 8.5$ $E = M3 (4\text{-}40 \text{ UNC})$ $F = \rightarrow 40 \text{ N} \downarrow 80 \text{ N}$ MS = Montageflansch 7 Mounting surface



Technische Änderungen vorbehalten / Subject to change without prior notice